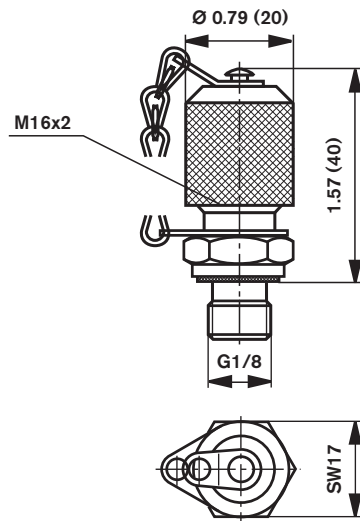
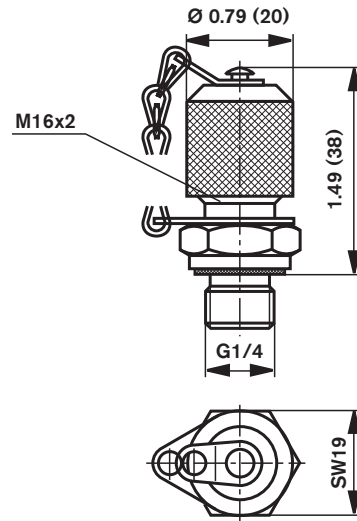


Test Point Coupling

For bore sizes - 1-1/2" - 2-1/2"



For Bore Sizes - 3-1/4"-8"



Above dimensions in inches (mm)

Notes

For pressure measurement or bleeding.

For installation in the bleed/measuring port. Coupling with check valve function, it can also be connected under pressure.

Scope of supply for bore sizes - 1-1/2" to 2-1/2"

Coupling AB-E 20-11/K3, G 1/8
with NBR seal, Material No. R900014363

Coupling AB-E 20-11/K3V, G 1/8
with FPM seal, Material No. R900024710

Scope of supply for bore sizes - 3-1/4" to 8"

Coupling AB-E 20-11/K1, G 1/4
with NBR seal, Material No. R900009090

Coupling AB-E 20-11/K1V, G 1/4
with FPM seal, Material No. R900001264